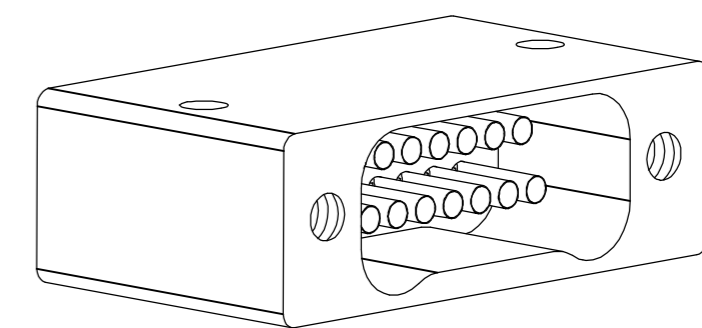
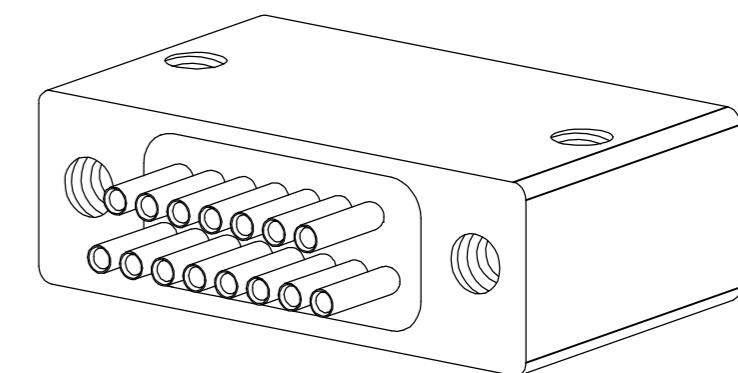
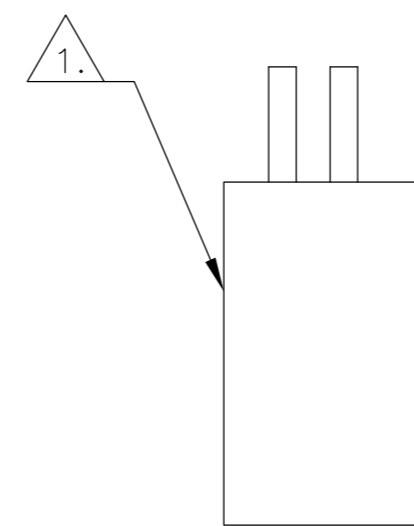
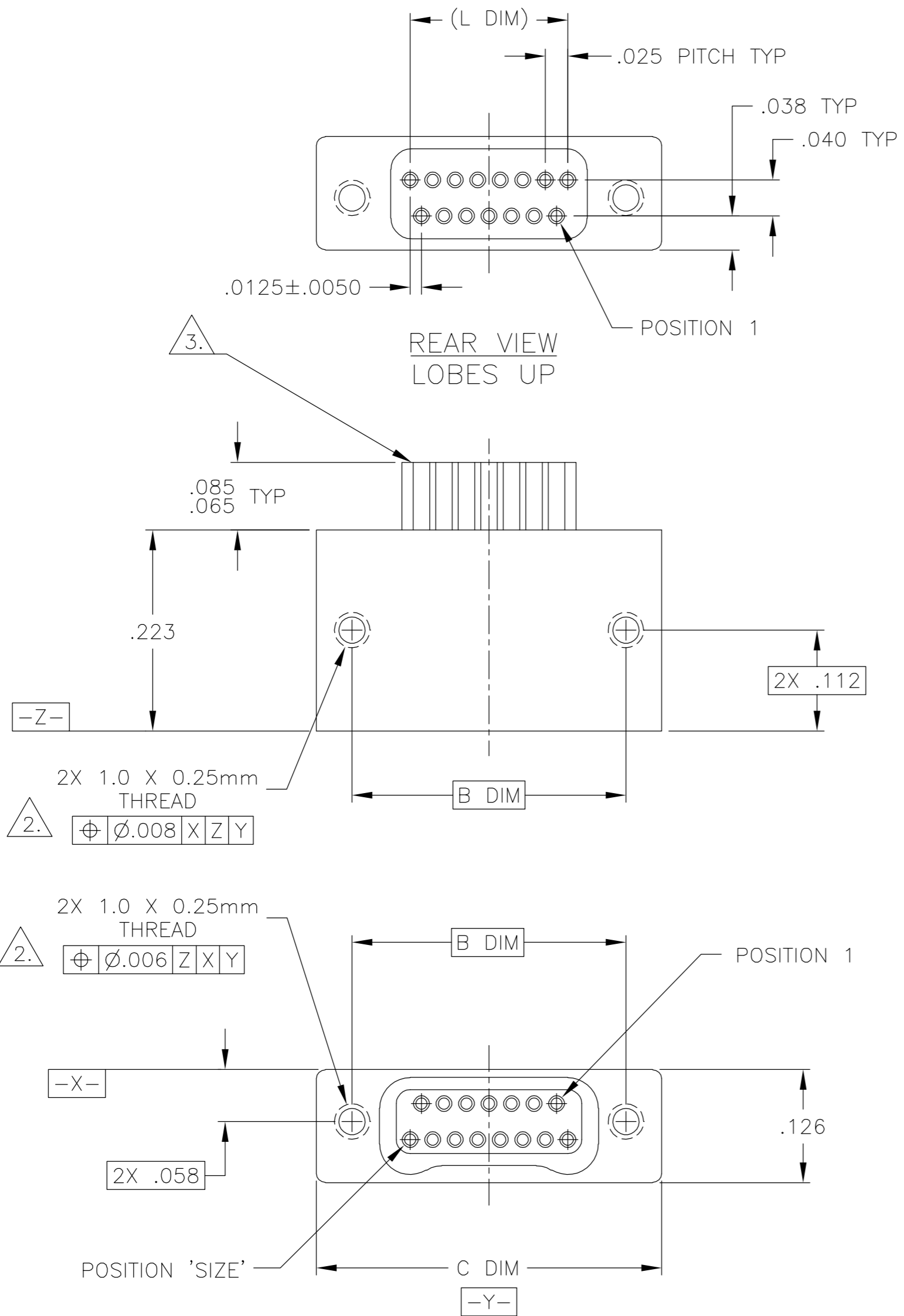


THIS DRAWING IS UNPUBLISHED. RELEASED FOR PUBLICATION
 © COPYRIGHT BY TYCO ELECTRONICS CORPORATION. ALL RIGHTS RESERVED.

LOC		DIST		REVISIONS			
P	LTR	DESCRIPTION	DATE	DWN	APVD		
DF	DO	F	UPDATE PER 0H2Y-0164-04	05-12-04	JDM	MKS	



SIZE	B DIM	C DIM ±.0050	(L DIM)
09	.229	.3085	(.100)
15	.304	.3835	(.175)
25	.429	.5085	(.300)
37	.579	.6585	(.450)
51	.754	.8335	(.625)
65	.929	1.0085	(.800)

1. SHELL OPTIONS (TO BE SPECIFIED IN NANONICS PART NUMBER):
 METAL: 6061-T6 ALUMINUM, ELECTROLESS NICKEL PLATED PER MIL-C-26074 (STANDARD) OR GOLD PLATED PER MIL-G-45204
 303 STAINLESS STEEL, PASSIVATED PER SAE-AMS-QQ-P-35
 INSULATOR MATERIAL FOR ALL METAL SHELLS IS LIQUID CRYSTAL POLYMER (LCP) PER MIL-M-24519 OR PER ASTM D5138
 PLASTIC: LIQUID CRYSTAL POLYMER (LCP) PER MIL-M-24519 OR PER ASTM D5138
2. STANDARD 1.0 X 0.25mm MOUNTING AND JACKSCREW THREADS ARE SHOWN FOR REFERENCE ONLY AND MUST BE SPECIFIED IN THE NANONICS PART NUMBER WHEN REQUIRED. 1.2 X 0.25mm THREADS ALSO AVAILABLE.
3. THIS CONFIGURATION TO HAVE SOLDER CUPS WHICH ARE TO BE TERMINATED BY THE CUSTOMER WITH 30 AWG STRANDED OR SMALLER WIRE. SOLDER CUPS ARE GOLD PLATED PER MIL-G-45204.
4. NANONICS TERMINATION CODE: 11500
5. THIS DRAWING PREVIOUSLY IDENTIFIED AS NANONICS 303-0020-XX

THIS DRAWING IS A CONTROLLED DOCUMENT.		DWN D. RYAN 02-15-99	Tyco Electronics Corporation Harrisburg, PA 17105																	
DIMENSIONS: INCHES		CHK M. STORRY 02-16-99																		
TOLERANCES UNLESS OTHERWISE SPECIFIED:		APVD S. KAIN 07-10-00																		
<table border="1"> <tr><td>0 PLC</td><td>±</td><td>-</td></tr> <tr><td>1 PLC</td><td>±</td><td>-</td></tr> <tr><td>2 PLC</td><td>±</td><td>.010</td></tr> <tr><td>3 PLC</td><td>±</td><td>.005</td></tr> <tr><td>4 PLC</td><td>±</td><td>-</td></tr> <tr><td>ANGLES</td><td>±</td><td>1°</td></tr> </table>		0 PLC		±	-	1 PLC	±	-	2 PLC	±	.010	3 PLC	±	.005	4 PLC	±	-	ANGLES	±	1°
0 PLC	±	-																		
1 PLC	±	-																		
2 PLC	±	.010																		
3 PLC	±	.005																		
4 PLC	±	-																		
ANGLES	±	1°																		
MATERIAL SEE NOTES		FINISH SEE NOTES	APPLICATION SPEC																	
SEE NOTES		WEIGHT -	RESTRICTED TO																	
CUSTOMER DRAWING		SCALE 8:1	NAME RECEPTACLE ASSEMBLY, TWO ROW DUALLOBE, SOLDER CUP TERMINATION, PLASTIC OR METAL SIZE A2 CAGE CODE 00779 DRAWING NO. C=1589054																	
		SHEET 1 OF 1	REV F																	